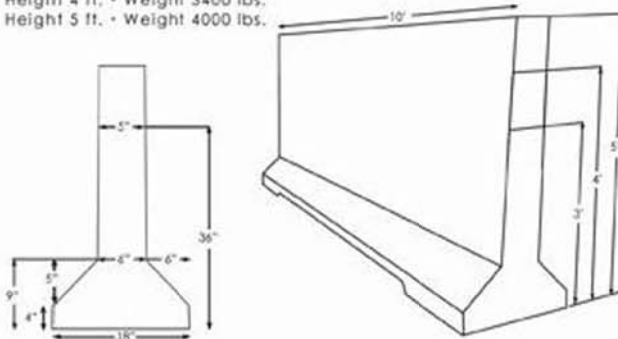


# DIVIDER & PRECAST WALLS

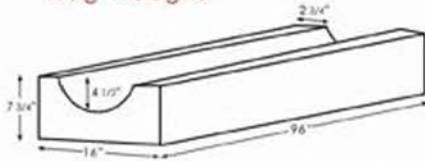


## Divider Walls

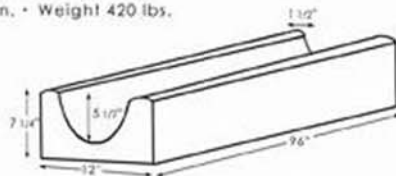
Height 3 ft. • Weight 2800 lbs.  
Height 4 ft. • Weight 3400 lbs.  
Height 5 ft. • Weight 4000 lbs.



## Hog Troughs



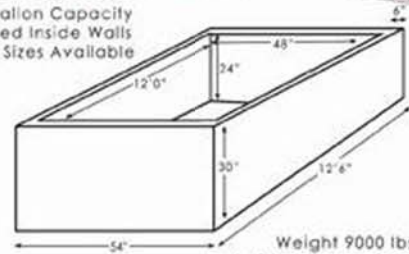
Length 8 ft. • Width 12 in. • Weight 420 lbs.



Length 8 ft. • Width 16 in. • Weight 690 lbs.

## Concrete Water Tanks

600 Gallon Capacity  
Tapered Inside Walls  
Other Sizes Available



Weight 9000 lbs.  
Inside Bottom Dimensions  
11' 5" x 41"

## Interlocking Cubes



Weight 3400 lbs.  
Other Sizes Available

## Sound & Privacy Walls

Many Sizes and Textures Available



## Architectural & Specialty Precast

Call us for your special order needs.

